

PARTS CATALOG

USB APP I/F BOARD-D1

Canon

Feb 21 2005

PREFACE

This Parts Catalog contains listings of parts used

Diagrams are provided with the listings to aid the service technician in identifying clearly, the item to be ordered.

Whenever ordering parts, consult this Parts Catalog for all of the information pertaining to each item. Be sure to include, in the Parts Request, the full item description, the item part number, and the quantity.

COPYRIGHT (C) 1999 CANON INC.

Use of this manual should be strictly supervised to avoid disclosure of confidential information.

Contents

Parts List Index

USB APP I/F BOARD-D1 1-1

USB APP I/F BOARD-D1

G92 USB APP I/F BOARD-D1 2-1

NUMERICAL INDEX

USB APP I/F BOARD-D1

PARTS NUMBER	FIGURE & KEY NO.	PARTS NUMBER	FIGURE & KEY NO.	PARTS NUMBER	FIGURE & KEY NO.
FM2-3010-000	G92 - 1				
NPN	G92 -				
XB1-2300-607	G92 - 501				

USB APP I/F BOARD-D1

F62-1105-000

Contents

G92	USB APP I/F BOARD-D1.....	2-1
-----	---------------------------	-----

FIGURE G92

USB APP I/F BOARD-D1

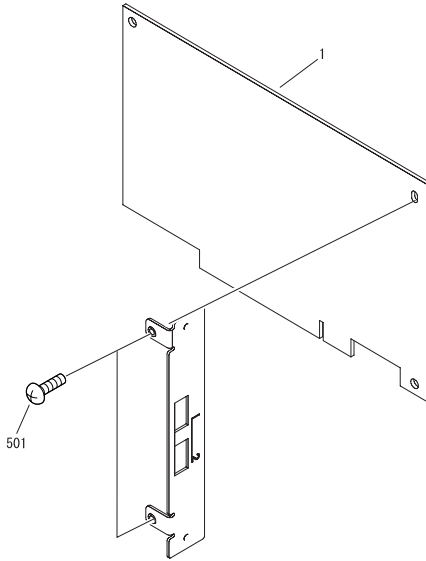


FIGURE & KEY NO.	PARTS NUMBER	RANK	QTY	DESCRIPTION	SERIAL NUMBER/REMARKS	SVC
Fig.G92	NPN		RF	USB APP I/F BOARD-D1		
1	FM2-3010-000		1	USB PCB ASSEMBLY		
501	XB1-2300-607		2	SCREW, BH3X6(S)		

Prepared by
OFFICE IMAGING PRODUCTS QUALITY ASSURANCE CENTER
CANON INC.

Canon